

CHINT
ELECTRIC

正泰物联



CHINT IoT Product Catalog

ABOUT CHINT



CHINT A leading global provider of smart energy solutions

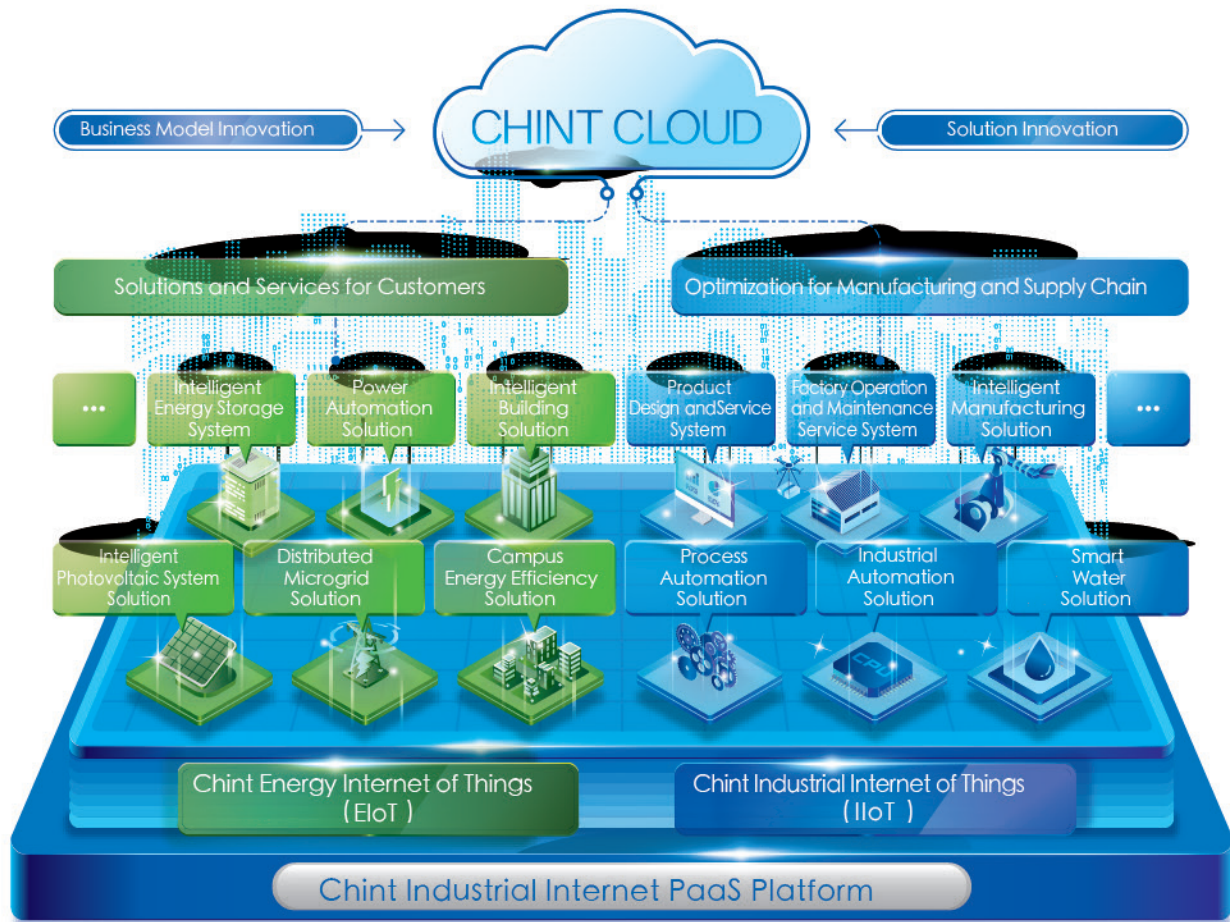
Founded in 1984, CHINT is a leading global provider of smart energy solutions. It is actively deploying “4+1” industrial sectors including smart electrics, green energy, industrial control and automation, smart home and incubator, forming an integrated whole industry chain of “power generation, storage, transmission, substation, distribution, sales and consumption”. And it boasts an extensive business network across over 140 countries and regions as well as more than 30,000 employees and an annual sales revenue of over USD 11.4 billion. CHINT has been ranking among China’s Top 500 companies for 18 consecutive years. Its subsidiary, CHINT Electrics is the first company in China with low-voltage electrics as its main business getting listed on the A-share market as one of the Top 50 Asian listed companies.

To comply with the trend of integrated development of modern energy, intelligent manufacturing and digital technology, CHINT has adopted “One Cloud & Two Nets” as the business strategy. CHINT Cloud fulfills digital application and services in both

internal and external as the platform of intelligent technology and data application. Based on the Industrial Internet of Things (IIoT), CHINT built an intelligent manufacturing system and realizes intelligent application in electrical industry. Relying on the Energy Internet of Things (EIoT), CHINT built its smart energy system and develops the regional EIoT mode.

Focusing on energy system of supply, storage, transmission, distribution and consumption, CHINT has core businesses of clean energy, energy distribution, big data and energy value-added services. Furthermore, CHINT pillar businesses include photovoltaic equipment, energy storage, power transmission & distribution, low-voltage apparatuses, intelligent terminals, software development and control automation. With developing into a platform-based enterprise, CHINT provides a package of energy solutions for public institutions, industrial & commercial users and end users, by building a regional smart energy operation ecosystem.

ONE CLOUD & TWO NETS STRATEGY



Energy system optimization is an inevitable trend against the background of resource shortage, environmental pollution and climate change – three challenges faced by global energy development. To keep in line with the trend, CHINT actively implements the business strategy of One Cloud & Two Nets, continuously promotes the deep integration of big data, IoT, AI and manufacturing industry in stages to become a platform-based enterprise, and leads the new direction of industry development.

As a medium of smart technology and data applications, CHINT Cloud connects corporate in-house manufacturing with operation and management data, realizing digital applications and services both internally and externally.

As a user-centric multi-energy complementary smart energy system, CHINT EIoT provides a package of energy solutions for governments, industrial & commercial users and end users. Its business includes Smart Energy Efficiency, Smart Power, Smart Home and Smart Clean Energy, etc.

As a smart manufacturing system based on corporate digital transformation, CHINT IIoT constitutes a flexible, high-efficiency and intelligent industrial system. Its business includes Intelligent Manufacturing, Intelligent Industry, Smart Water, Smart Heating, etc.

Contents

Smart Meter Products

DDSU666 Single Phase Smart Meter-----	1
DTSU666 Three Phase Smart Meter-----	2
DSSU666 Three Phase Smart Meter-----	3

New Energy Monitoring Meter

DDSU666-G Single Phase 1P Smart Meter 0.25-5(80)A-----	5
DDSU666-G Single Phase 2P Smart Meter 0.015-1.5(6)A-----	6
DDSU666-G Single Phase 2P Smart Meter 0.25-5(80)A-----	7
DDSU666-G Single Phase 2P Smart Meter 100A/40mA-----	8
DDSU666-G Single Phase 2P Smart Meter 100A/40mA Dual Loads-----	9
DTSU666-G Three Phase 4P Smart Meter 0.015-1.5(6)A-----	10
DTSU666-G Three Phase 4P Smart Meter 0.25-5(80)A-----	11
DTSU666-G Splitting Phase 4P Smart Meter 100A/40mA-----	12
DTSU666-G Splitting Phase 4P Smart Meter 250A/50mA-----	13
DTSU666-G Three Phase 4P Smart Meter 100A/40mA-----	14
DTSU666-G Three Phase 4P Smart Meter 250A/50mA-----	15

Digital Panel Meter

PA/PZ666- □ series Single Phase Digital Ammeter, Voltmeter-----	17
PA/PZ666- □ series Three Phase Digital Ammeter, Voltmeter-----	18
PD666- □ series Three Phase Digital Multi-function Meter-----	19
PD7777-3H Harmonic Multi-function Power Meter-----	20

Smart Meter Products

01

DDSU666 Single Phase Smart Meter

DTSU666 Three Phase Smart Meter

DSSU666 Three Phase Smart Meter

DDSU666 Single Phase Smart Meter



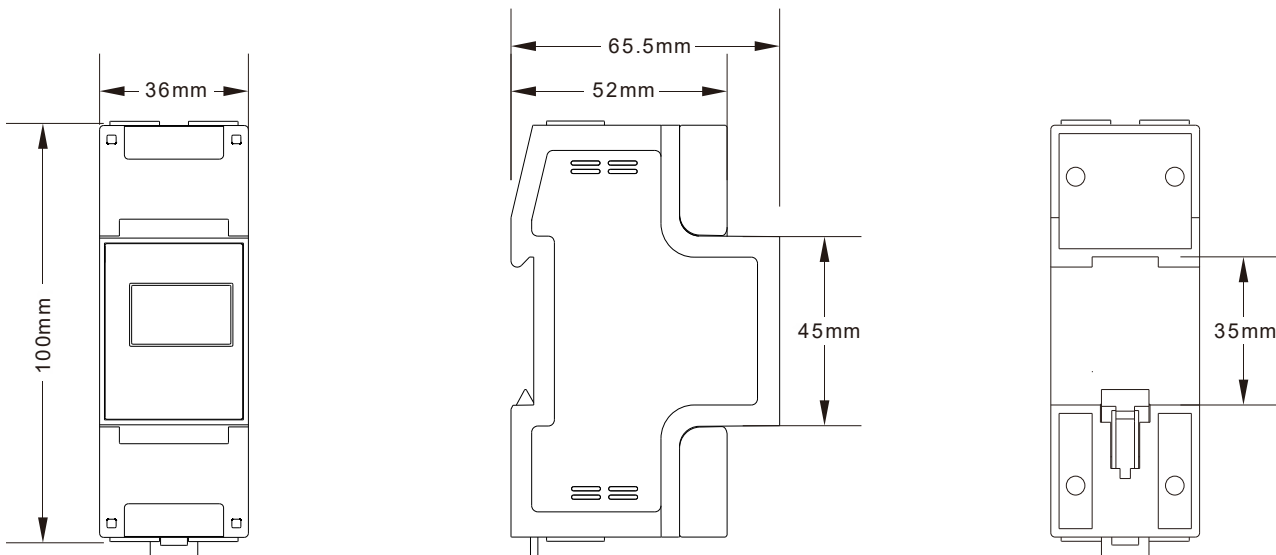
Feature

- Multi-measurement: kWh, W, V, A, PF, Hz, etc.
- RS485 ModBus communication
- Standard DIN35mm mounting

Specification

Item	Parameter	
Measurement	Connection Type	1P2W
	Accuracy	Direct: Class B/1.0 CT: Class C/0.5S
Voltage	Nominal Voltage(Un)	220V...240V
	Operating Range	0.85Un~1.15Un
Current	Direct: 0.25~5(80)A CT: 0.015~1.5(6)A	
Frequency	50Hz or 60Hz	
Display	LCD with backlit	
LED Indication	Pluse Output	
Measured Values	Import&Export kWh	
	Instantaneous kW, Vrms, Irms, Frequency, Power Factor	
Communication	RS485	
	Protocol	Modbus-RTU
Environment	Operating Temperature	-25°C ~+55°C
	Storage Temperature	-40°C ~+70°C
	Humidity	≤ 95% (non-condensing)
Dimension	100mm × 36mm × 65.5mm	

Dimension



DTSU666 Three Phase Smart Meter



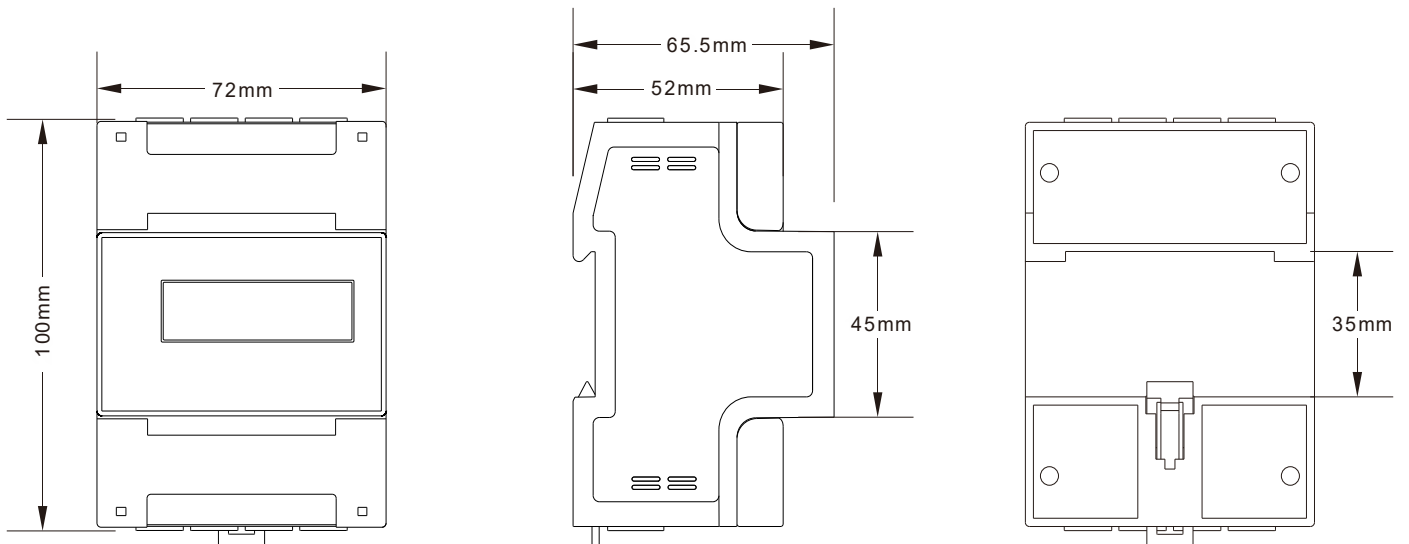
Feature

- Multi-measurement: kWh, W, V, A, PF, Hz, etc.
- RS485 ModBus communication
- Standard DIN35mm mounting

Specification

Item	Parameter	
Measurement	Connection Type	3P4W
	Accuracy	Direct: Class B/ 1.0 CT: Class C/ 0.5S
Voltage	Nominal Voltage(Un)	3 × 120~138/208~240V 3 × 220~240/380~415V
	Operating Range	0.85Un~1.15Un
Current	Direct: 0.25~5(80)A CT: 0.015~1.5(6)A	
Frequency	50Hz or 60Hz	
Display	LCD with backlit	
LED Indication	Pluse Output	
Measured Values	Import&Export kWh	
	Instantaneous kW,Kvar	
	Instantaneous Irms, Vrms, Frequency, Power Factor	
Communication	RS485	
	Modbus-RTU	
Environment	Operating Temperature	-25°C ~+55°C
	Storage Temperature	-40°C ~+70°C
	Humidity	≤ 95% (non-condensing)
Dimension	100mm × 72mm × 65.5mm	

Dimension



DSSU666 Three Phase Smart Meter



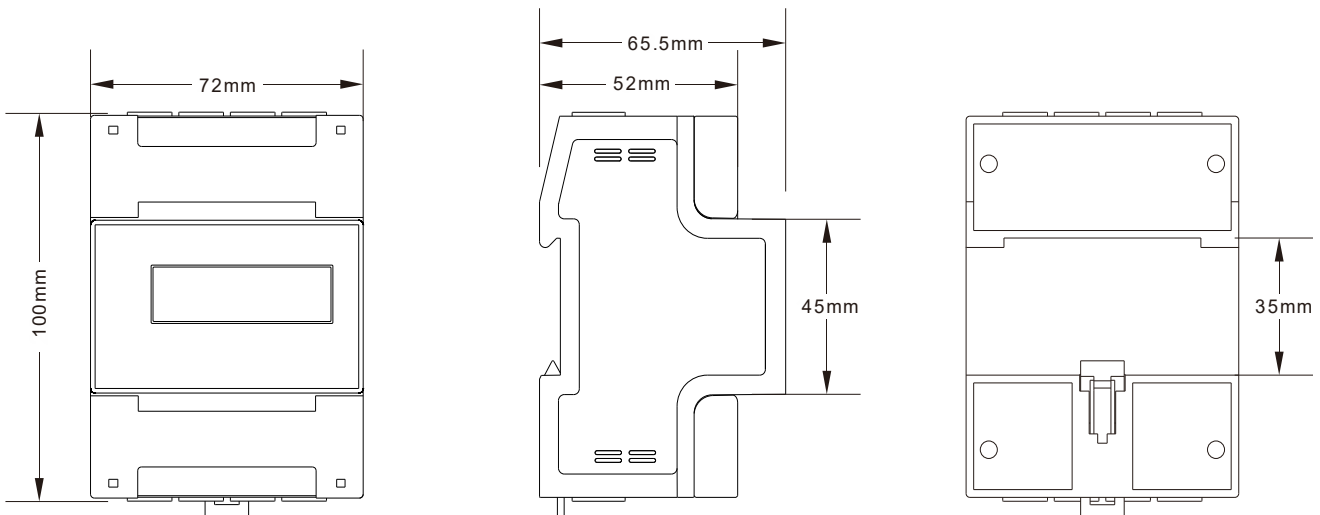
Feature

- Multi-measurement: kWh, W, V, A, PF, Hz, etc.
- RS485 ModBus communication
- Standard DIN35mm mounting

Specification

Item	Parameter	
Measurement	Connection Type	3P3W
	Accuracy	Direct: Class B/1.0 CT: Class C/0.5S
Voltage	Nominal Voltage(Un)	3 × 400V
	Operating Range	0.85Un~1.15Un
Current	0.015~1.5(6)A	
Frequency	50Hz or 60Hz	
Display	LCD with backlit	
LED Indication	Pulse Output	
Measured Values	Import&Export Kwhr	
	Instantaneous Irms, Vrms	
	Instantaneous Irms, Vrms, Frequency, Power Factor	
Communication	RS485	
	Modbus-RTU	
Environment	Operating Temperature	-25°C ~+55°C
	Storage Temperature	-40°C ~+70°C
	Humidity	≤ 95% (non-condensing)
Dimension	100mm × 72mm × 65.5mm	

Dimension



New Energy Monitoring Meter

02

DDSU666-G Single Phase 1P Smart Meter

DDSU666-G Single Phase 2P Smart Meter

DTSU666-G Three Phase 4P Smart Meter

DTSU666-G Splitting Phase 4P Smart Meter

DDSU666-G Single Phase 1P Smart Meter 0.25-5(80)A



Feature

- Bi-directional Measurement for kW and kWh
- Multi-measurement: kWh, W, V, A, PF, Hz, etc.
- RS485 ModBus communication
- Standard DIN35mm mounting
- Active power refresh rate is about 50ms

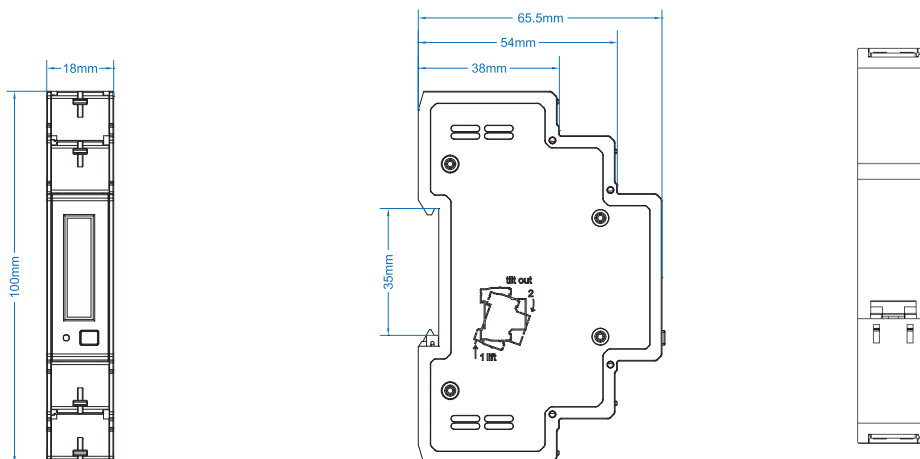
Specification

Item	Parameter	
Accuracy	Voltage	± 0.5%
	Current/Power	± 0.5%
	Electric energy	± 1%
Electrical Parameters	Connection Type	Single phase two wire(1P2W)
	Voltage rated value	220V...240V
	Current	0.25-5(80)A
	Frequency	50/60Hz
	Access Method	Direct
	Operating Voltage	198V ~ 253V
	Limited Voltage	100V ~ 276V
Communication	Interface	RS485
	Protocol	Modbus-RTU
	Baud rate	1200 / 2400 / 4800 / 9600bps(default) 19200/115200 bps(customizable)
Environment	Operating Temperature	-25°C ~ +55°C
	Storage Temperature	-40°C ~ +70°C
	Humidity	≤ 95% (non-condensing)
Installation	Dimension	18mm × 100mm × 65.5mm
	Mounting Type	DIN35mm(standard DIN-Rail mount)

Product Certification



Dimension



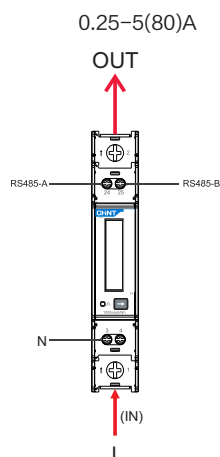
Wiring Diagram

Upper Terminal

Current voltage	Communication	
L-OUT	RS485_1-A	RS485_1-B
2	24	25

Lower Terminal

Current voltage		
L-IN	N	N/A
1	3	4



DDSU666-G Single Phase 2P Smart Meter 0.015-1.5(6)A



Feature

- Bi-directional Measurement for kW and kWh
- Multi-measurement: kWh, W, V, A, PF, Hz, etc.
- RS485 ModBus communication
- Standard DIN35mm mounting
- Active power refresh rate is about 50ms

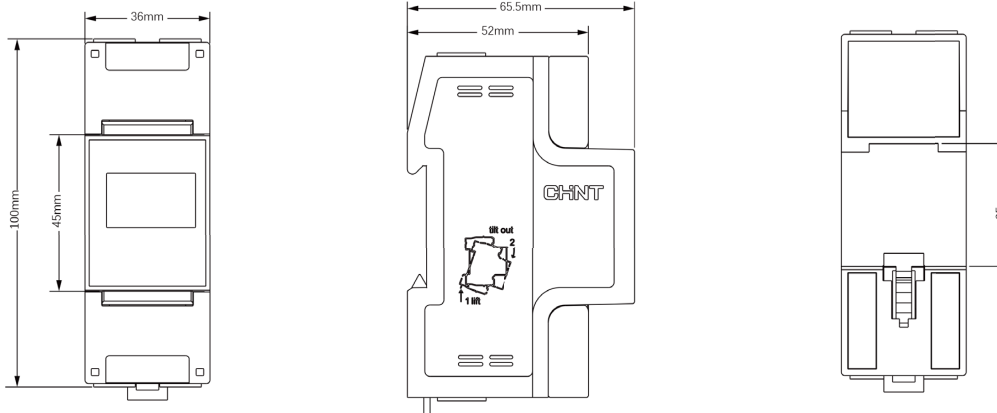
Specification

Item	Parameter	
Accuracy	Voltage	± 0.5%
	Current/Power	± 0.5%
	Electric energy	± 0.5%
Measurement	Connection Type	Single phase two wire(1P2W)
	Voltage rated value	220V...240V
	Current	0.015-1.5(6)A
	Frequency	50/60Hz
	Access Method	Via CT
	Operating Voltage	198V ~ 253V
	Limited Voltage	100V ~ 276V
Communication	Interface	RS485
	Protocol	Modbus-RTU
	Baud rate	1200 / 2400 / 4800 / 9600bps(default) 19200/115200 bps(customizable)
Environment	Operating Temperature	-25°C ~ +55°C
	Storage Temperature	-40°C ~ +70°C
	Humidity	≤ 95% (non-condensing)
Installation	Dimension	36mm × 100mm × 65.5mm
	Mounting Type	DIN35mm(standard DIN-Rail mount)

Product Certification



Dimension



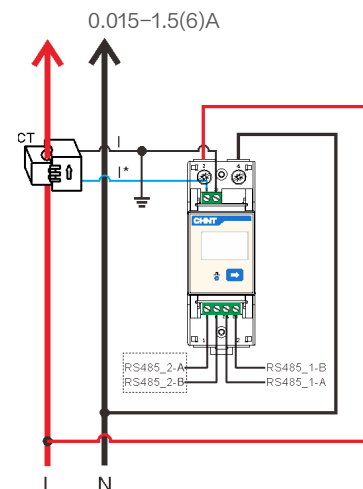
Wiring Diagram

Upper Terminal

Voltage Input		CT	
L	N	I*	I
3	4	9	10

Lower Terminal

N/A		Communication			
N/A	N/A	RS485_2-A	RS485_2-B	RS485_1-A	RS485_1-B
1	2	5	6	24	25



DDSU666-G Single Phase 2P Smart Meter 0.25-5(80)A



Feature

- Bi-directional Measurement for kW and kWh
- Multi-measurement: kWh, W, V, A, PF, Hz, etc.
- RS485 ModBus communication
- Standard DIN35mm mounting
- Active power refresh rate is about 50ms

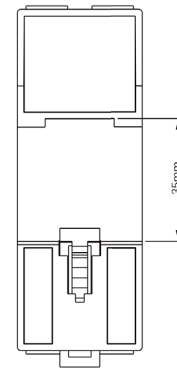
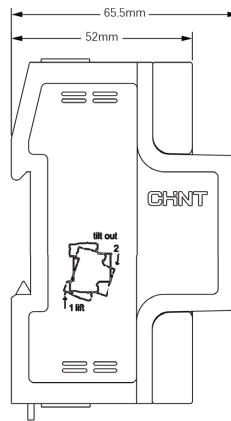
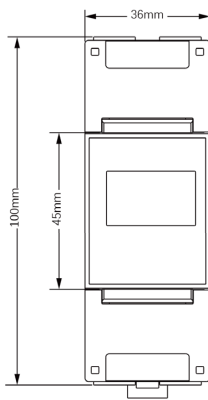
Technical Specification

Item	Parameter	
Accuracy	Voltage	± 0.5%
	Current/Power	± 0.5%
	Electric energy	± 0.5%
Electrical Parameters	Connection Type	Single phase two wire(1P2W)
	Voltage rated value	220V...240V
	Current	0.25-5(80)A
	Frequency	50/60Hz
	Access Method	Direct
	Operating Voltage	198V ~ 253V
	Limited Voltage	100V ~ 276V
Communication	Interface	RS485
	Protocol	Modbus-RTU
	Baud rate	1200 / 2400 / 4800 / 9600bps(default) 19200/115200 bps(customizable)
Environment	Operating Temperature	-25°C ~ +55°C
	Storage Temperature	-40°C ~ +70°C
	Humidity	≤ 95% (non-condensing)
Installation	Dimension	36mm × 100mm × 65.5mm
	Mounting Type	DIN35mm(standard DIN-Rail mount)

Product Certification



Dimension



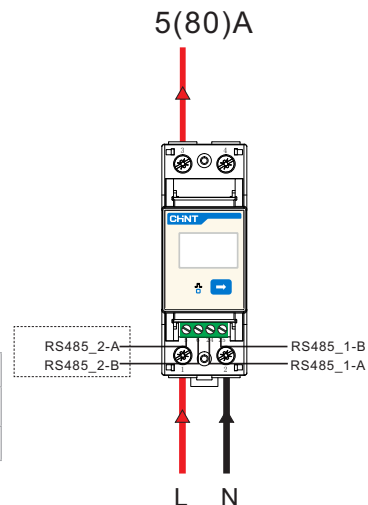
Wiring Diagram

Upper Terminal

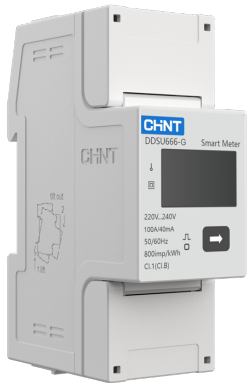
Voltage Output
L-OUT
3

Lower Terminal

Voltage Input		Communication			
L-IN	N	RS485_2-A	RS485_2-B	RS485_1-A	RS485_1-B
1	2	5	6	24	25



DDSU666-G Single Phase 2P Smart Meter 100A/40mA



Feature

- Bi-directional Measurement for kW and kWh
- Multi-measurement: kWh, W, V, A, PF, Hz, etc.
- RS485 ModBus communication
- Standard DIN35mm mounting
- Active power refresh rate is about 50ms

Specification

Item	Parameter	
Accuracy	Voltage	± 0.5%
	Current/Power	± 0.5%
	Electric energy	± 1%
Electrical Paramaters	Connection Type	Single phase two wire(1P2W)
	Reference voltage	220V...240V
	Current	100A/40mA
	Frequency	50/60Hz
	Access Method	CT: 100A/40mA
	Operating Voltage	198V ~ 253V
	Limited Voltage	100V ~ 276V
Communication	Interface	RS485
	Protocol	Modbus-RTU
	Baud rate	1200 / 2400 / 4800 / 9600bps(default) 19200/115200 bps(customizable)
Environment	Operating Temperature	-25°C ~ +55°C
	Storage Temperature	-40°C ~ +70°C
	Humidity	≤ 95% (non-condensing)
Installation	Dimension	36mm × 100mm × 65.5mm
	Mounting Type	DIN35mm(standard DIN-Rail mount)

Product Certification

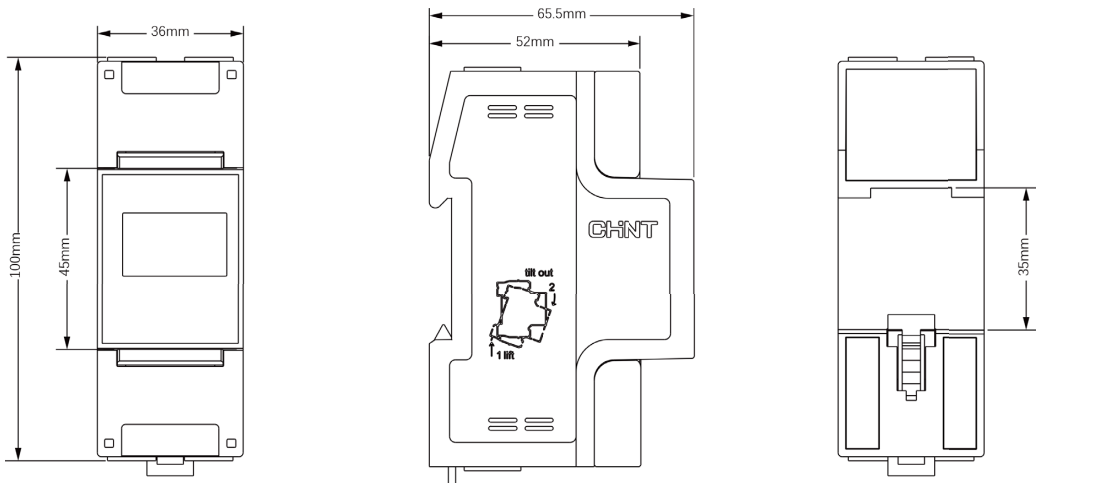


Current Transformer



Current: 100A/40mA
Aperture: ϕ 16mm

Dimension



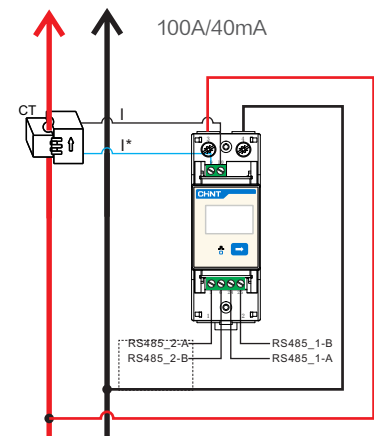
Wiring Diagram

Upper Terminal

Voltage Output		CT	
L	N	I*	I
3	4	9	10

Lower Terminal

N/A		Communication			
N/A	N/A	RS485_2-A	RS485_2-B	RS485_1-A	RS485_1-B
1	2	5	6	24	25



DDSU666-G Single Phase 2P Smart Meter 100A/40mA Dual Loads



Feature

- Bi-directional Measurement for kW and kWh
- Multi-measurement: kWh, W, V, A, PF, Hz, etc.
- RS485 ModBus communication
- Standard DIN35mm mounting
- Active power refresh rate is about 50ms

Specification

Item	Parameter	
Accuracy	Voltage	± 0.5%
	Current/Power	± 0.5%
	Electric energy	± 1%
Electrical Parameters	Connection Type	Single phase two wire(1P2W)
	Reference voltage	220V...240V
	Current	100A/40mA
	Frequency	50/60Hz
	Access Method	CT1:100A/40mA CT2:100A/40mA
	Operating Voltage	198V ~ 253V
	Limited Voltage	100V ~ 276V
Communication	Interface	RS485
	Protocol	Modbus-RTU
	Baud rate	1200 / 2400 / 4800 / 9600bps(default) 19200/115200 bps(customizable)
Environment	Operating Temperature	-25°C ~ +55°C
	Storage Temperature	-40°C ~ +70°C
	Relative Humidity	≤ 95% (non-condensing)
Installation	Dimension	36mm × 100mm × 65.5mm
	Mounting Type	DIN35mm(standard DIN-Rail mount)

Product Certification

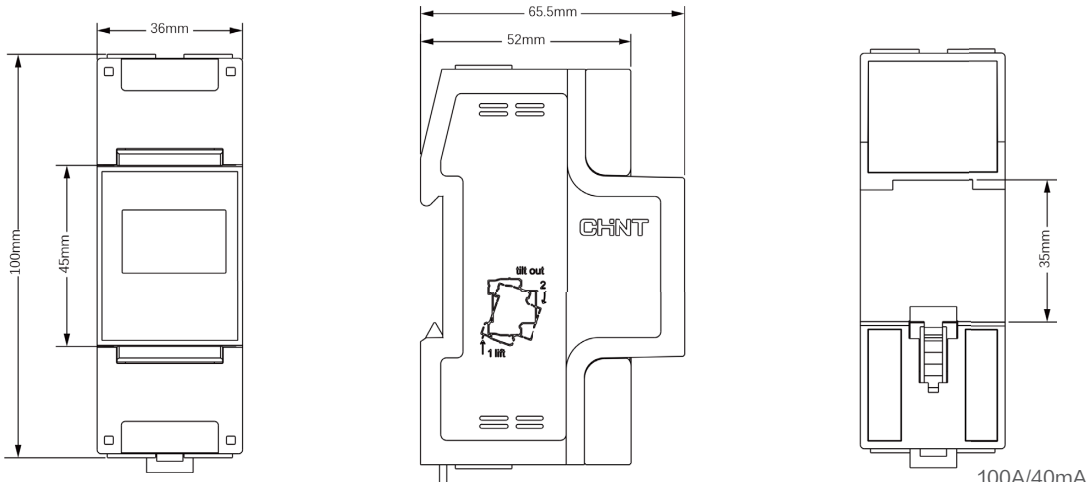


Current Transformer



Current: 100A/40mA
Aperture: φ16mm

Dimension



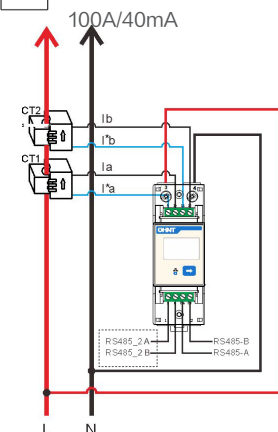
Wiring Diagram

Upper Terminal

Voltage		CT1		CT2	
L	N	I*a	Ia	I*b	Ib
3	4	9	10	11	12

Lower Terminal

N/A		Communication			
N/A	N/A	RS485_2-A	RS485_2-B	RS485_1-A	RS485_1-B
1	2	5	6	24	25



DTSU666-G Three Phase 4P Smart Meter 0.015-1.5(6)A



Feature

- Bi-directional Measurement for kW and kWh
- Multi-measurement: kWh, W, V, A, PF, Hz, etc.
- RS485 ModBus communication
- Standard DIN35mm mounting
- Active power refresh rate is about 50ms

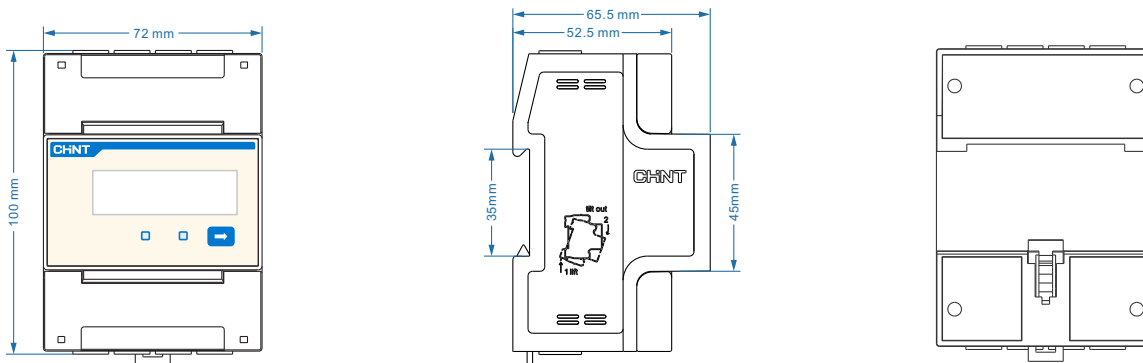
Specification

Item	Parameter	
Accuracy	Voltage	± 0.5%
	Current/Power	± 0.5%
	Electric energy	± 0.5%
Electrical Parameters	Connection Type	Three phase four wire(3P4W)
	Voltage rated value	3 × 220/380V...3 × 240/415V
	Current	0.015-1.5(6)A
	Frequency	50/60Hz
	Operating Voltage	207V ~ 253V
	Limited Voltage	184V ~ 264V
	Interface	RS485
Communication	Protocol	Modbus-RTU
	Baud rate	1200 / 2400 / 4800 / 9600bps(default) 19200/115200 bps(customizable)
	Operating Temperature	-25°C ~ +55°C
Environment	Storage Temperature	-40°C ~ +70°C
	Humidity	≤ 95% (non-condensing)
	Dimension	72mm × 100mm × 65.5mm
Installation	Mounting Type	DIN35mm(standard DIN-Rail mount)

Product Certification



Dimension



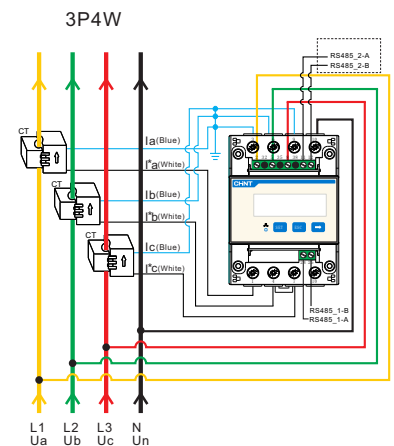
Wiring Diagram

Upper Terminal

CT			Voltage				Communication	
Ia	Ib	Ic	Ua	Ub	Uc	N	RS485_2-A	RS485_2-B
3	6	9	2	5	8	10	11	12

Lower Terminal

CT			Communication	
I*a	I*b	I*c	RS485_1-A	RS485_1-B
1	4	7	24	25



DTSU666-G Three Phase 4P Smart Meter 0.25-5(80)A



Feature

- Bi-directional Measurement for kW and kWh
- Multi-measurement: kWh, W, V, A, PF, Hz, etc.
- RS485 ModBus communication
- Standard DIN35mm mounting
- Active power refresh rate is about 50ms

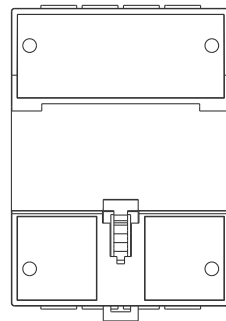
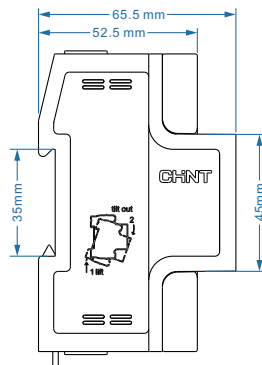
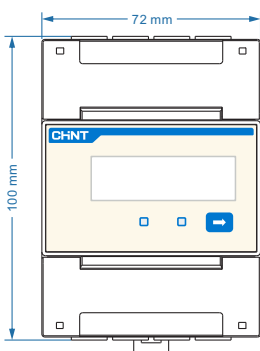
Specification

Item	Parameter	
Accuracy	Voltage	± 0.5%
	Current/Power	± 0.5%
	Electric energy	± 1%
Electrical Parameters	Connection Type	Three phase four wire(3P4W)
	Voltage rated value	3 × 220/380V...3 × 240/415V
	Current	0.25-5(80)A
	Access Method	Direct(non-CT)
	Frequency	50-60Hz
	Operating Voltage	207V ~ 253V
	Limited Voltage	184V ~ 264V
Communication	Interface	RS485
	Protocol	Modbus-RTU
	Baud rate	1200 / 2400 / 4800 / 9600bps(default) 19200/115200 bps(customizable)
Environment	Operating Temperature	-25°C ~ +55°C
	Storage Temperature	-40°C ~ +70°C
	Humidity	≤ 95% (non-condensing)
Installation	Dimension	72mm × 100mm × 65.5mm
	Mounting Type	DIN35mm(standard DIN-Rail mount)

Product Certification



Dimension



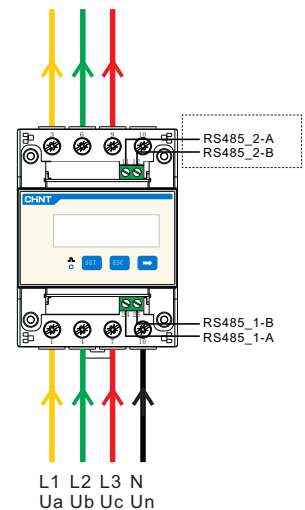
Wiring Diagram

Upper Terminal

Voltage Output			N/A	Communication	
Ua	Ub	Uc	N/A	RS485_2-A	RS485_2-B
3	6	9	10	11	12

Lower Terminal

Voltage Input				Communication	
Ua	Ub	Uc	N	RS485_1-A	RS485_1-B
1	4	7	10	24	25



DTSU666-G Splitting Phase 4P Smart Meter 100A/40mA



Feature

- Bi-directional Measurement for kW and kWh
- Multi-measurement: kWh, W, V, A, PF, Hz, etc.
- RS485 ModBus communication
- Standard DIN35mm mounting
- Active power refresh rate better 100ms

Specification

Item	Parameter		
Accuracy	Voltage	± 0.5%	
	Current/Power	± 0.5%	
	Electric energy	± 1%	
Electrical Parameters	Connection Type	Three phase four wire(3P4W)	
	Voltage specification	AC 3X57.7/100V...3X240/415V	
	Current	100A/40mA	
	Frequency	50-60Hz	
	Access Method	CT: 100A/40mA	
	Operating Voltage	L-N	50V ~ 280V
		L-L	85V ~ 485V
Communication	Interface	RS485	
	Protocol	Modbus-RTU	
	Baud rate	1200 / 2400 / 4800 / 9600bps(default) 19200/115200 bps(customizable)	
Environment	Operating Temperature	-25°C ~ +55°C	
	Storage Temperature	-40°C ~ +70°C	
Installation	Humidity	≤ 95% (non-condensing)	
	Dimension	72mm × 98mm × 65.5mm	
	Mounting Type	DIN35mm(standard DIN-Rail mount)	

Product Certification

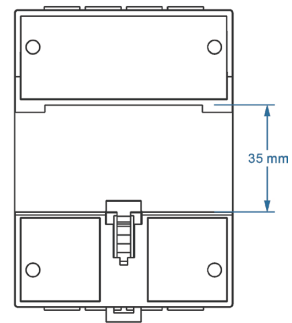
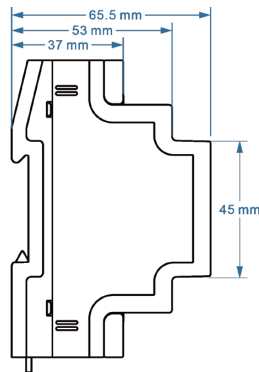
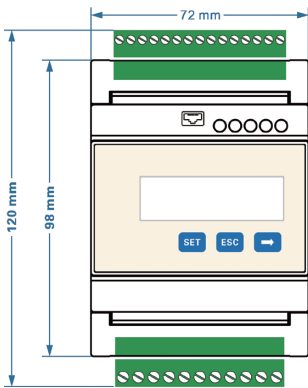


Current Transformer



Current: 100A/40mA
Aperture: φ16mm

Dimension



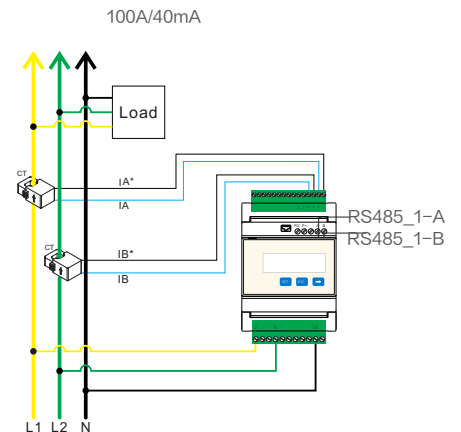
Wiring Diagram

Upper Terminal

CT				N/A		Communication	
IA*	IA	IB*	IB	N/A	N/A	RS485_1-A	RS485_1-B
1	3	4	6	7	9	11	12

Lower Terminal

Voltage Input		
L1	L2	N
2	5	10



DTSU666-G Splitting Phase 4P Smart Meter 250A/50mA



Feature

- Bi-directional Measurement for kW and kWh
- Multi-measurement: kWh, W, V, A, PF, Hz, etc.
- RS485 ModBus communication
- Standard DIN35mm mounting
- Active power refresh rate about 50ms

Specification

Item	Parameter	
Accuracy	Voltage	± 0.5%
	Current/Power	± 0.5%
	Electric energy	± 1%
Electrical Parameters	Connection Type	Single phase three wire(1P3W)
	Voltage specification	AC 3X57.7/100V...3X240/415V
	Current	250A/50mA
	Frequency	50-60Hz
	Access Method	CT: 250A/50mA
	Operating Voltage	L-N: 50V ~ 280V L-L: 85V ~ 485V
Communication	Interface	RS485 ,RJ45
	Protocol	Modbus-RTU
	Baud rate	1200 / 2400 / 4800 / 9600bps(default) 19200/115200 bps(customizable)
Environment	Operating Temperature	-25°C ~ +55°C
	Storage Temperature	-40°C ~ +70°C
	Humidity	≤ 95% (non-condensing)
Installation	Dimension	72mm × 98mm × 65.5mm
	Mounting Type	DIN35mm(standard DIN-Rail mount)

Product Certification

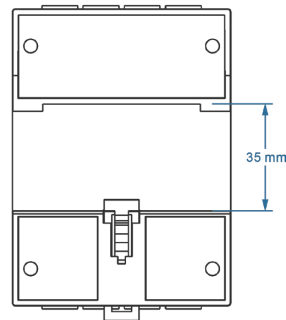
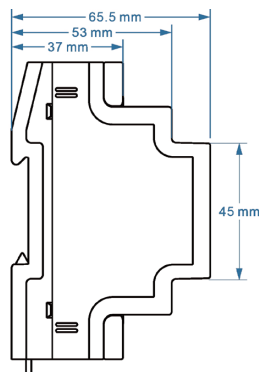
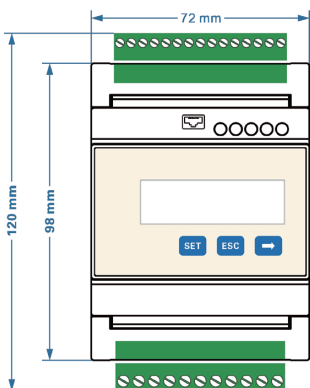


Current Transformer



Current: 250A/50mA
Aperture: φ24mm

Dimension



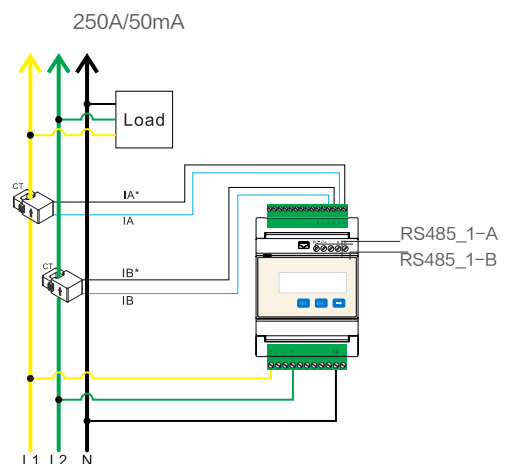
Wiring Diagram

Upper Terminal

CT access				Communication	
IA*	IA	IB*	IB	A	B
1	3	4	6	RS485_1-A	RS485_1-B

Lower Terminal

Voltage Input		
L1	L2	N
2	5	10



DTSU666-G Three Phase 4P Smart Meter 100A/40mA



Feature

- Bi-directional Measurement for kW and kWh
- Multi-measurement: kWh, W, V, A, PF, Hz, etc.
- RS485, support Modbus-RTU
- Active power refresh rate about 50ms.

Specification

Item	Parameter	
Accuracy	Voltage	± 0.5%
	Current/Power	± 0.5%
	Electric energy	± 1%
Electrical Parameters	Connection Type	Three phase four wire(3P4W)
	Voltage specification	3 × 220/380V...3 × 240/415V
	Current	100A/40mA
	Frequency	50-60Hz
	Operating Voltage	207V ~ 253V
	Limited Voltage	184V ~ 264V
Communication	Interface	RS485
	Protocol	Modbus-RTU
	Baud rate	1200 / 2400 / 4800 / 9600bps(default) 19200/115200bps(customizable)
Environment	Operating Temperature	-25°C ~ +55°C
	Storage Temperature	-40°C ~ +70°C
	Humidity	≤ 95% (non-condensing)
Installation	Dimension	72mm × 100mm × 65.5mm
	Mounting Type	DIN35mm(standard DIN-Rail mount)

Product Certification

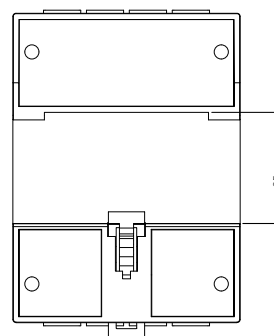
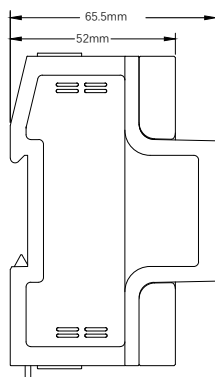
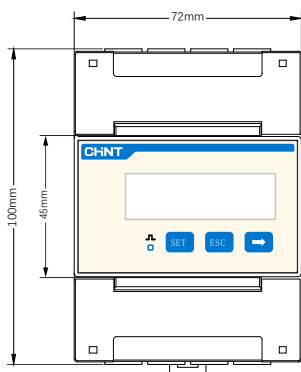


Current Transformer



Current: 100A/40mA
Aperture: ϕ 16mm

Dimension



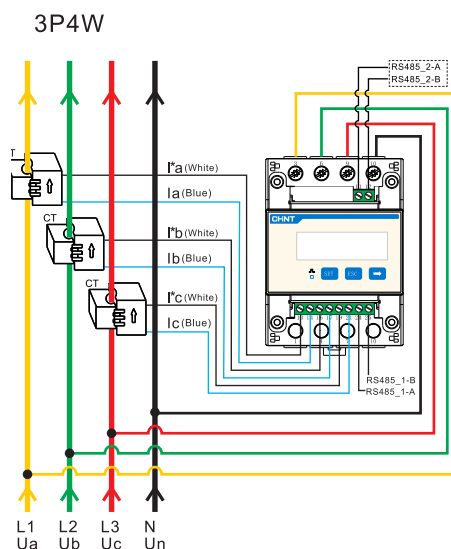
Wiring Diagram

Upper Terminal

Voltage Input				Communication	
Ua	Ub	Uc	N	RS485_2-A	RS485_2-B
3	6	9	10	11	12

Lower Terminal

Voltage Input						Communication	
I*a	Ia	I*b	Ib	I*c	Ic	RS485_1-A	RS485_1-B
13	14	16	17	19	21	24	25



DTSU666-G Three Phase 4P Smart Meter 250A/50mA



Feature

- Bi-directional Measurement for kW and kWh
- Multi-measurement: kWh, W, V, A, PF, Hz, etc.
- RS485, support Modbus-RTU
- Active power refresh rate about 50ms

Specification

Item	Parameter	
Accuracy	Voltage	± 0.5%
	Current/Power	± 0.5%
	Electric energy	± 1%
Electrical Parameters	Connection Type	Three phase four wire(3P4W)
	Voltage specification	3 × 220/380V...3 × 240/415V
	Current	250A/50mA
	Frequency	50-60Hz
	Operating Voltage	207V ~ 253V
	Limited Voltage	184V ~ 264V
Communication	Interface	RS485
	Protocol	Modbus-RTU
	Baud rate	1200 / 2400 / 4800 / 9600bps(default) 19200/115200bps(customizable)
Environment	Operating Temperature	-25°C ~ +55°C
	Storage Temperature	-40°C ~ +70°C
	Humidity	≤ 95% (non-condensing)
Installation	Dimension	72mm × 100mm × 65.5mm
	Mounting Type	DIN35mm(standard DIN-Rail mount)

Product Certification

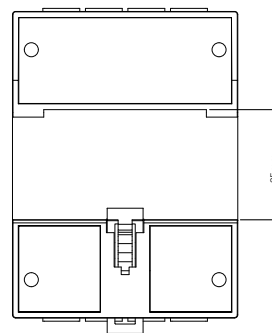
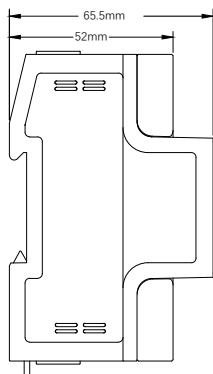
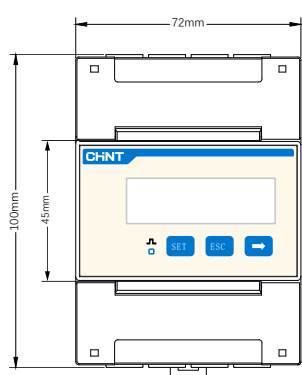


Current Transformer



Current: 250A/50mA
Aperture: φ24mm

Dimension



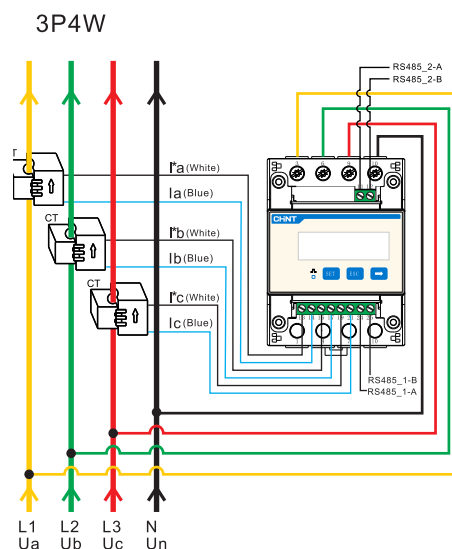
Wiring Diagram

Upper Terminal

CT				Communication	
Ua	Ub	Uc	N	RS485_2-A	RS485_2-B
3	6	9	10	11	12

Lower Terminal

CT access						Communication	
I*a	Ia	I*b	Ib	I*c	Ic	RS485_1-A	RS485-1B
13	14	16	17	19	21	24	25



Digital Panel Meter

03

PA/PZ666- □ series Digital Ammeter, Voltmeter

PD666- □ series Digital Multi-function Meter

PD7777-3H Harmonic Multi-function Powermeter

PA/PZ666- □ series Single Phase Digital Ammeter, Voltmeter



Single Phase Digital Ammeter



Single Phase Digital Voltmeter

Feature

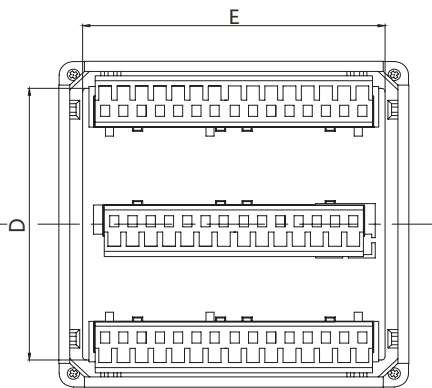
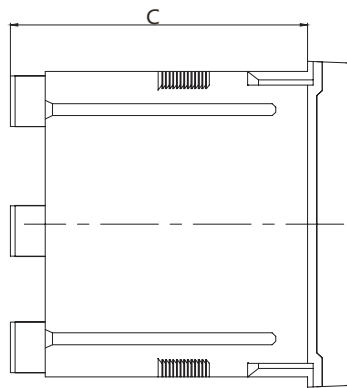
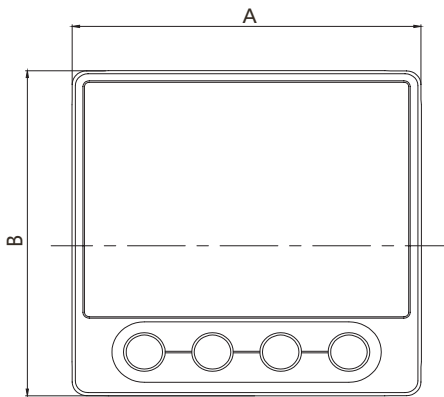
- Real-time measurement and indication for the current and voltage Value of the circuit
- Extensible relay digital output function
- RS485, support Modbus-RTU, and baud rate setting.

Specification

Items	Parameter
Voltage	AC 450V
Current	AC 5A
Frequency	45Hz~65Hz
Accuracy	Class 0.5
Auxiliary Power Supply	220VAC ± 20%, AC/DC85~264V
Operation Temperature	Operation Temperature: -10°C ~ +45°C Storage Temperature: -25°C ~ +70°C
Display	LED

External and Installation Dimensions

Model	Panel Dimension(AxB)	Hole Spacing Dimensions(ExD)	Depth(C)
PA/PZ666-2	72x72	68x68	96
PA/PZ666-3	96x96	92x92	85
PA/PZ666-4	48x48	45x45	96



PA/PZ666- □ series Three Phase Digital Ammeter, Voltmeter



Three Phase Digital Ammeter



Three Phase Digital Voltmeter

Feature

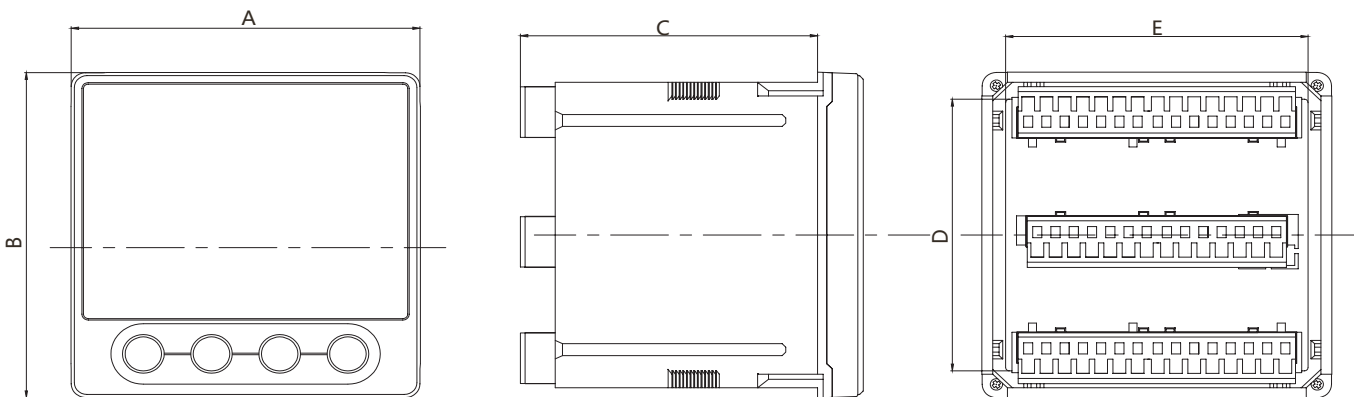
- Real-time measurement and indication for the current and voltage Value of the circuit
- Extensible relay digital output function
- RS485, support Modbus-RTU and baud rate setting

Specification

Items	Parameter
Voltage	AC450V
Current	AC 5A
Frequency	45Hz~65Hz
Accuracy	Class 0.5
Auxiliary Power Supply	220VAC ± 20%, AC/DC85-264V
Operation Temperature	Operation Temperature Range: 10°C ~ +45°C Storage Temperature: -25°C ~ +70°C
Display	LED

External and Installation Dimensions

Model	Panel Dimension(AxB)	Hole Spacing Dimensions(ExD)	Depth(C)
PA/PZ666-2	72x72	68x68	96
PA/PZ666-3	96x96	92x92	86
PA/PZ666-4	48x48	45x45	95



PD666- □ series Three Phase Digital Multi-function Meter



Single Phase Digital Ammeter



Single Phase Digital Voltmeter

Feature

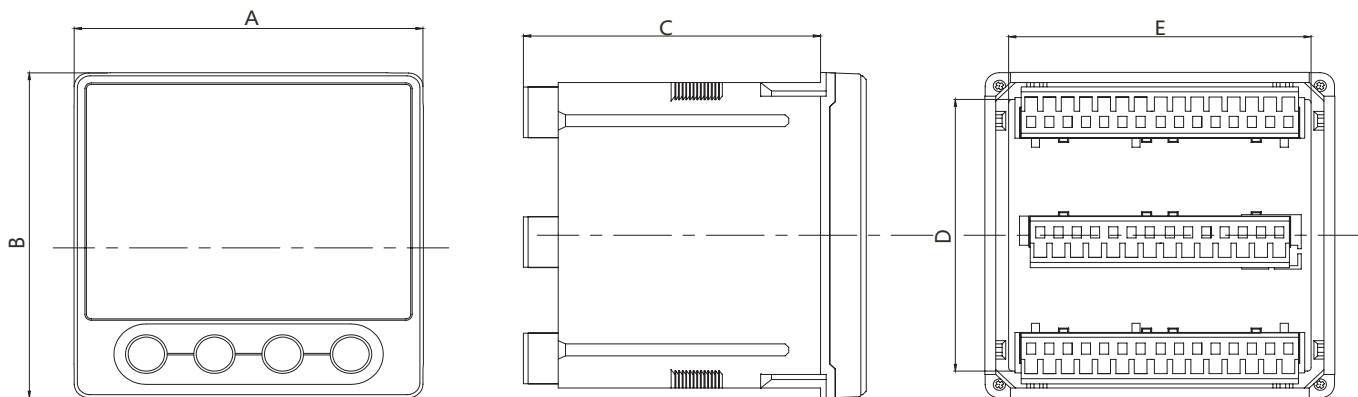
- Measurement three phase current, voltage, active power, reactive power, power factor, frequency, import and export of electrical energy
- RS485, support Modbus-RTU and baud rate setting
- Extensible digital output function

Specification

Items	Parameter
Voltage	AC 450V
Current	AC 5A
Frequency	45Hz~65Hz
Accuracy	Class 0.5
Auxiliary Power Supply	AC/DC85-264V
Operation Temperature	Operation Temperature Range: 10°C ~ +45°C Storage Temperature: -25°C ~ +70°C
Display	LCD or LED

External and Installation Dimensions

Model	Panel Dimension(AxB)	Hole Spacing Dimensions(ExD)	Depth(C)
PD666-2	72x72	68x68	96
PD666-3	96x96	92x92	86
PD666-8	120x120	112x112	96



PD7777-3H Harmonic Multi-function Power Meter



Feature

- 3.5-inch color LCD display
- Real-time measurement and indication for the current and voltage Value of the Circuit
- Measure the 2nd-31st harmonic content of the voltage, current and total harmonic distortion
- Display the last ten records of switch Inputs SOE, and the last ten records of relay outputs SOE
- RS485, support Modbus-RTU and baud rate setting

Specification

Items		Parameter
Accuracy		Voltage,Current,Frequency,Active Power,Active Energy,Power Factor,Reactive Power: Class 0.5,Reactive Energy: Class 2
Input	Measuring Network	3 phase 3 wire, 3 phase 4 wire
	Voltage	AC 80V
	Current	AC 5A
	Frequency	50/60Hz
	Harmonic	Voltage, Current 2nd ~ 31th harmonic
	Switch Input	4-channel signal input
Output	Relay Output	2-channels relay output, contact capacity AC250V/2A,DC30V/2A
	Power impulse Output	2-channels power impulse output
	Communication	RS-485 communication interface,Modbus-RTU communication protocol, baud rate1200,2400,4800,9600,19200 optional
	Display	3.5-inch TFT lattice(320*240)LCD
	Calendar & Clock	Tolerance:0.5s/d(reference temperature:23℃)
Power Supply	Range	AC/DC85V ~ 264V
Environment	Temperature	Operating Temperature: -10 ~ +40℃ Storage Temperature: -25 ~ +55℃
	Humidity	≤ 95% (non-condensing)
	Altitude	≤ 2500m

External and Installation Dimensions

Model	Panel Dimension(AxB)	Hole Spacing Dimensions(ExD)	Depth(C)
PD7777-3H	96x96	92x92	86

ZHEJIANG CHINT IoT TECHNOLOGY CO.,LTD

Wen Zhou Base

Tel: 86+0577-62877777

Address: Bridge industrial Zone,Wenzhou,Zhejiang,
P.R.China

Postcode:325 603

Hang Zhou Base

Tel: 86+0571-56977777

Address: No.560,Yueming Road,Hangzhou,
Zhejiang,P.R.China

Postcode:310 052

Hotline

86+

400-817-7777

Web: <http://aiot.chint.com/>



Printed by CHINT IoT. No part of this brochure may be used or reproduced in any manner whatsoever without written permission. CHINT is the only publisher that can modify or change the content. Parts of the pictures used in the brochure are from the Internet. Please contact us in any case of copyright.

CHINT GROUP ALL RIGHTS Reserved Recycle Paper Printed
B02EN2407V1